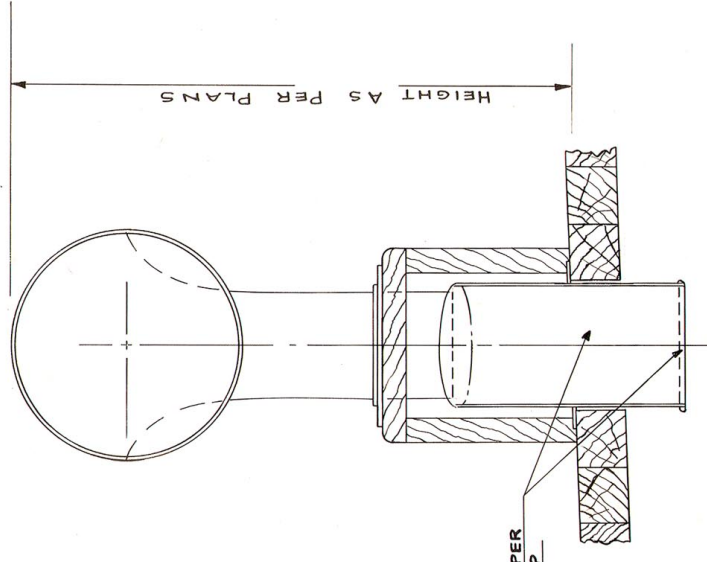


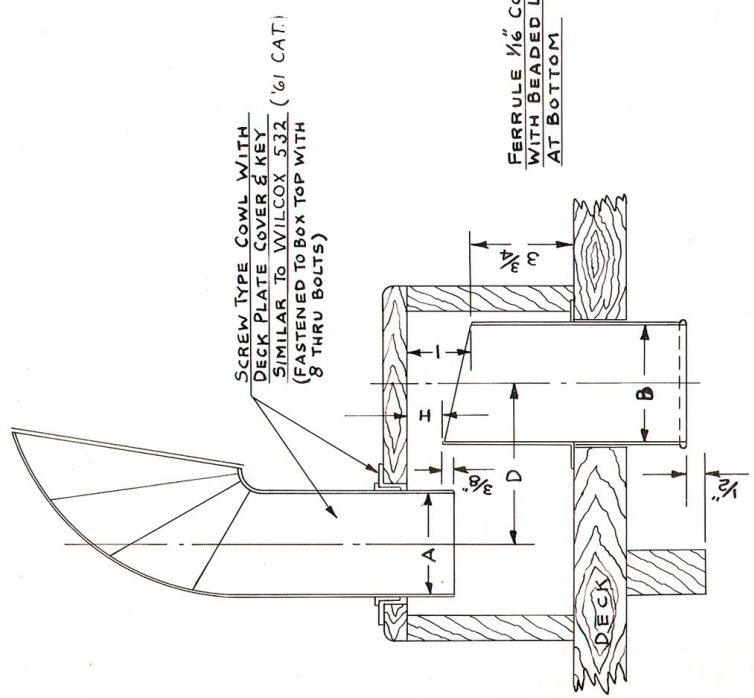
NOTES

SCREENS NOT RECOMMENDED BUT, IF USED TO BE FITTED AT BOTTOM OF FERRULE AND TO BE REMOVABLE. EXTRA LONG SCREWS TO BE USED IN BOX ASSEMBLY. BOX TO BE FASTENED TO DECK FROM UNDERNEATH THE DECK WITH LONG SCREWS AND, WHERE POSSIBLE BOLTS ARE PREFERRED. MATERIAL FOR TOP OF BOX TO BE AS PER SPECIFICATIONS.



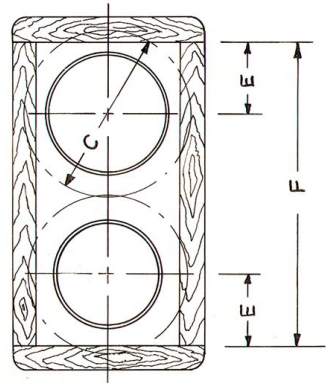
SCUPPER DETAIL

SCUPPERS MUST BE IN AFT FACE OF BOTH CORNERS OF BOX. WHEN AFT FACE OF BOX IS PART OF DECKHOUSE OR TRUNK CABIN, SCUPPERS WILL BE CUT IN AFT CORNER OF BOTH SIDES.



DORADE TYPE VENT BOXES

NOMINAL COWL SIZE	3"	3 1/2"	4"	5"	6"	8"
CLEAR OPENING COWL	A 2 3/4	3 1/8	3 5/8	4 3/4	5 3/16	7 1/2
" " FERRULE	B 3 3/16	3 5/8	4 3/16	5 7/16	6 3/8	8 5/8
O.D. FERRULE FLANGE	C 4 1/2	5 3/16	6	7 3/16	9 3/16	12 3/8
Ø TO Ø	D 4 3/8	5	5 3/4	7 5/8	8 1/8	12
Ø TO INSIDE BOX	E 1 5/16	2 3/16	2 3/16	3 3/16	3 3/8	5 1/4
INSIDE BOX LENGTH	F 8 1/4	9 3/8	10 7/8	14 1/4	16 5/8	22 1/2
" " WIDTH	G 3 7/8	4 3/8	5 1/8	6 5/8	7 3/4	10 1/2
FERRULE TO UNDER SIDE COVER	H 1 5/16	1 1/8	1 1/4	1 1/16	1 5/16	2 5/8
" " " "	I 1 1/16	1 5/16	2 1/4	2 9/16	3 1/16	4 9/8
INSIDE BOX HEIGHT	J 5 7/16	5 1/16	6	6 1/16	7 3/16	8 3/8
BOX THICKNESS	K 3/4	13/16	7/8	5/8	1	1 1/4
SCUPPER WIDTH	L 9/16	5/8	3/4	1	1 1/16	1 1/16
" " HEIGHT	M 3/8	7/16	1/2	5/8	3/4	1



TYPE PLAN N° D10  
DORADE TYPE VENT BOXES

SPARKMAN & STEPHENS, INC.  
79 MADISON AVENUE  
NEW YORK 16, N.Y.  
(OLD #5)